



- Feature -
- panel mount
 - moisture and dust proof
 - metal style
 - full color LED illuminated available

- Application -
- indoor lighting
 - ambient light monitoring
 - CCTV security equipments
 - detection of ambient light to control some devices

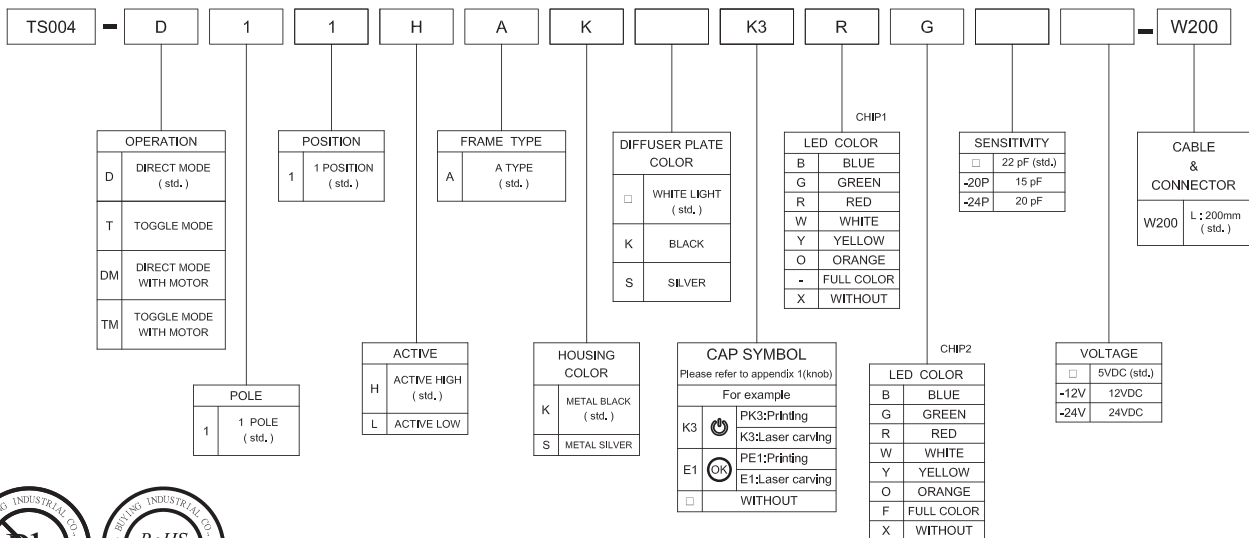
► SPECIFICATIONS

SWITCH SPECIFICATIONS						
POLE - POSITION		One-Channel				
CIRCUIT FEATURE		Capacitive analog signal				
OPERATING TEMPERATURE RANGE		-20°C ~ 70°C				
ELECTRICAL CHARACTERISTICS						
Symbol	Parameter	Conditions	MIN.	TYP.	MAX.	Units
V _{CC}	Operating voltage		2.0	3.0	5.5	V
F	System oscillator	V _{CC} = 3V		16		KHz
F _{SEN}	Sensor oscillator	V _{CC} =3V, Output no load		1M		Hz
I _{OP}	Operating current	V _{CC} =3V, Output no load		1.5	3.0	uA
V _{IL}	Input ports	Input low voltage	0		0.2	V
V _{IH}	Input ports	Input high voltage	0.8		1.0	V
I _{OL}	Output port sink current	V _{CC} =3V, VOL=0.6V		8		mA
I _{OH}	Output port source current	V _{CC} =3V, VOH=2.4V		-4		mA
T _R	Output response time	V _{CC} =3V			220	mS
R _{PH}	Input pin pull-high resistor	V _{CC} =3V		35K		Ω
R _{PL}	Input pin pull-low resistor	V _{CC} =3V		28K		Ω

LED SPECIFICATIONS					
ATTENTION (+) (-) LEDs are Electrostatic Sensitive devices	Unit	Value / LED Color			
		Ultra Green	Ultra Yellow	Ultra Red	
FORWARD CURRENT	I _f	mA	20	20	20
REVERSE VOLTAGE	V _r	V	5.0	5.0	5.0
REVERSE CURRENT	I _r	μA	10	10	10
FORWARD VOLTAGE@20mA	V _f	V	2.1-2.5	2.0-2.5	2.0-2.5
LUMINOUS INTENSITY@20mA	I _v	mcd	60	120	150

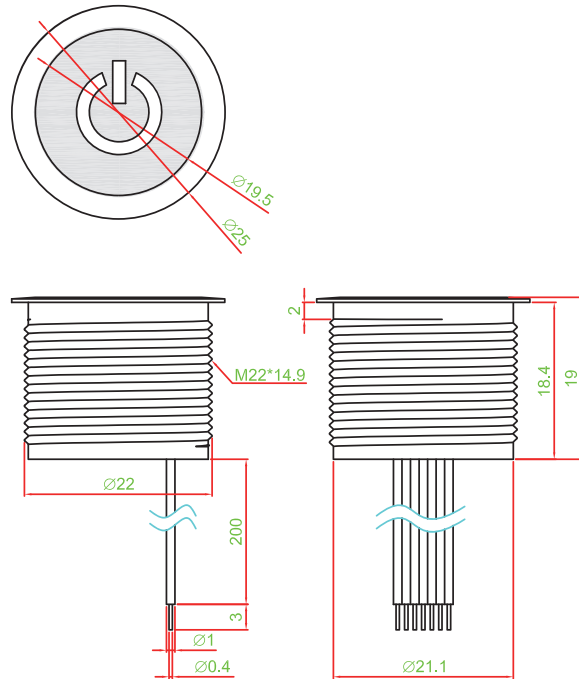
Physical and electrical information of LED will be provided upon customer's request on switches.

► HOW TO ORDER



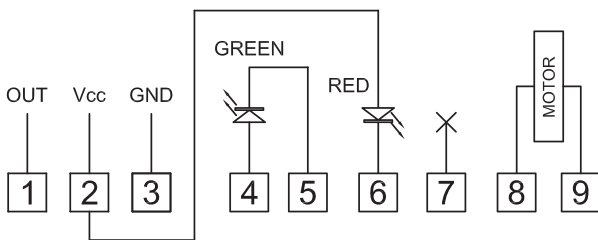
▶ DIMENSION & FRAME TYPE

TS004-DM11HAKKK3 □□□□ -W200

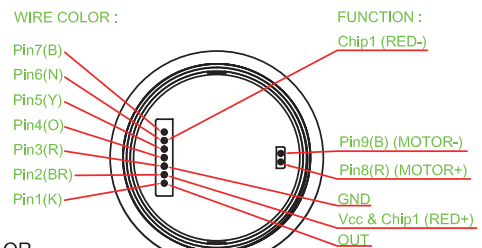


▶ CIRCUIT

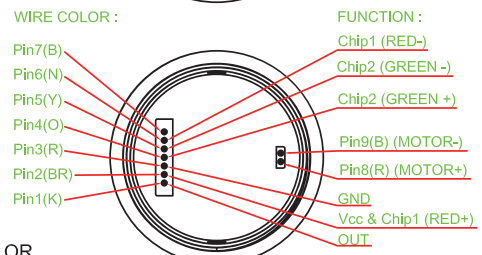
TWO COLOR :



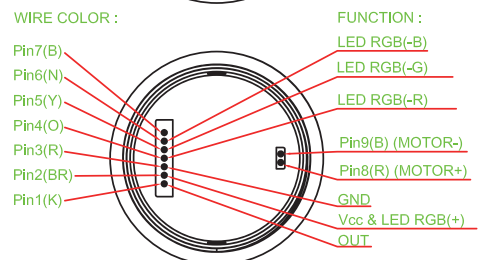
SINGLE COLOR



TWO COLOR



FULL COLOR



▶ MATERIAL

- COVER : ALUMINUM
- ACTUATOR : POM
- BASE FRAME : PA + GF
- TERMINAL : PHOSPHOR BRONZE SILVER PLATING
- SPRING : PHOSPHOR BRONZE SILVER PLATING

	0	1	2	3	4	5	6	7	8	9	10	11	12	13	14	15	16	17	18	19	
A	0	1	2	3	4	5	6	7	8	9	10	11	12	13	14	15	16	17	18	19	
B	A	B	C	D	E	F	G	H	I	J	CH5	CH6	DSK	PIP	C-KEY	CUT	TAKE	REC	ENG	PROD	
C	K	L	M	N	O	P	Q	R	S	T	REPLAY	RET1	RET2	KEY ON	AUTO TAKE						
D	U	V	W	X	Y	Z	POWER	ON OFF	ON	OFF		USER A	USER B	USER C	USER D	USER E	USER F	USER G	USER H	USER I	
E	OK		Auto	Enter	Start	STOP	OPEN	CLOSE	Exit	Move	USER J										
F	SET	Reset	Light	Alarm	Menu	Next	Back	Delete	Motor	Save						✓1	✓2				
G	Up	Down	Right	Left	Test	End	Insert	Lock	Print	+/-							IN PORT	SOS		TC	
H	ESC	BC.	HOME	Health	D-LED 2	OC GENE	VIDEO INPUT	clr CMOS	Green Power	Save OK	P1	P2	P3	P4	P5	DC	AC			TURBO	
I				F1	F2	F3	F4	F5	F6	F7	SEEK	TRACK	RNA	AS/RPT	Select		SET	ON	OFF	UP	
J	F8	F9	F10	F11	F12	F13	F14	IN 1	IN 2	IN 3						ON AIR		D.	M.		
K	IN 4	IN 5	IN 6																		
L	+	-	×	÷	=	↑	→	▲	▶	▶	▶	▶	▶	▶	▶	▶	▶	▶	▶	▶	▶
M																					
N	↑	→	▲	▶	▶	▶	▶	▶	▶	▶	▶	▶	▶	▶	▶	▶	▶	▶	▶	▶	▶
O																					
P																					
Q	ME3	ME4	BOND 3D DVE1	BOND 3D DVE2	BUS COLOR	ME BUTTON LINK	*	INSERT	WIPE												
R	⏮	ALL		VP		COPY		RECORD MODE	↑												
S			MUTE																		
T		hold	group	m1	m2	m3	m4	m5	t1	t2											
U	s1	s2	chair	undo	redo	touch	store	recall	e1	e2											
V	e3	e4	OC			CLEAR	CROSS WIND	AMMO TEMP	BARO PERSS	AIR TEMP											
W	BORE-SIGHT	CANT	LEAD	RANGE	MRS	ZERO	TEST	UD	LR												
X	ID	Disp	M/F	CALL	.	BAND	SETUP	MODE	LINK	FUNC.											
Y	SHIFT					DEL															
Z			T	RUN	2D	3D	CH1	CH2	CH3	CH4											